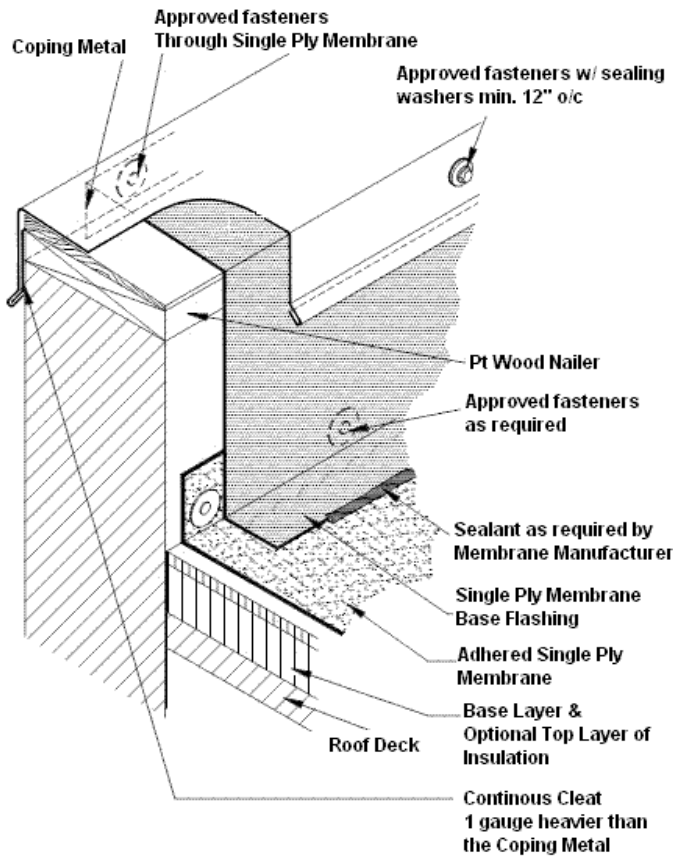


Single Ply Membrane Coping Metal Detail



Provide Component Information

Parapet Wall ft.

Height: Roof Mean ft.

Height: Coping Metal Type and

Size: Continuous

Cleat: Wall Flashing Fully Adhered Mech. Attached

Material:

Surfacing

Single Ply Membrane

Type:

Top Insulation Layer

Type:

Base Insulation Layer

Type:

Wood Nailer Type &

Size:

Wood Nailer

Attachment:

Deck Type