

National Pollutions Discharge Elimination System (NPDES) Construction Site Sediment and Erosion Control Affidavit

The quality of Biscayne Bay and its interconnected waterbodies is critical to environmental, economic, and recreational prosperity, and to the health, safety and welfare of the citizens of the City of Miami Beach. The City of Miami Beach participates as a co-permittee with Miami-Dade County in the [National Pollution Discharge Elimination System \(NPDES\) program](#). The program aims to improve water quality of stormwater. The City of Miami Beach must comply with permit conditions, which require the City to reduce erosion and control sedimentation from construction sites (construction activity means the act of developing or improving land that involves the disturbance of soils and includes clearing, grading, and excavation. The Florida Department of Environmental Protection has determined that demolition activities also meet the definition of construction activity):

The City of Miami Beach requires the following to ensure permit conditions are met and construction sites are in compliance with Chapter 46, Article X of the municipal code.

- 1. Sediment & Erosion Control Plan:** Applicants for new construction projects or substantial improvements (i.e., additions, demolitions, pools, etc.) shall submit as part of the mandatory permit submittal documents of erosion and sedimentation control details, notes, or plan for the development of the site. The qualifier for the permittee shall attest by his notarized signature that the erosion and sedimentation controls will be maintained for the duration of the permitted construction activities (see below).
- 2. Best Management Practices (BMPs) for Erosion and Sedimentation Control:** Mandatory erosion and sedimentation control best management practices that shall be implemented at each development site are:
 - a. **Temporary Gravel Construction Entrance & Exit** (See Attachment A).
 - b. **Storm Drain Inlet Protection** (See Attachment B).
 - c. **Silt Fence** (See Attachment C).
 - d. **Floating Turbidity Barrier** (as applicable for waterfront construction) Attachment D

NOTE: The preceding elements of the plan must be implemented at the development site, inspected, and approved by the Environment & Sustainability Department director, or designee prior to the acceptance of the first mandatory Florida Building Code inspection request.

3. Compliance with Erosion and Sedimentation Control Plan and/or Mandatory BMPs: Mandatory Florida Building Code and environmental inspections for erosion and sedimentation control shall be performed simultaneously with construction inspections. Failure to maintain erosion and sedimentation control measures during the entire construction phase will result in a rejected inspection request from the Building Official and/or Code Compliance Department action to be treated as a violation of the Florida Building Code or the City's Code.

I hereby agree to maintain a sediment and erosion control plan and/ or BMPs for the duration of the construction phase. Failure to maintain sediment and erosion control measures during the construction phase will result in a violation of the Florida Building Code by the Building Official. If compliance is not achieved, a stop work order may be issued. In addition, pursuant to Chapter 46, Article X, City of Miami Beach Municipal Code, failure to maintain sediment and erosion controls may result in fines and penalties.

[SIGNATURES ON THE FOLLOWING PAGE]

STATE OF _____
COUNTY OF _____

The foregoing instrument was acknowledged before me by means of [] physical presence or [] online notarization, this ____ day of _____, _____, by _____ who is personally known to me or who has produced _____ as identification.

General Contractor - Company Name

Name of Qualifier

Signature of Qualifier

Date: _____

License of Qualifier: _____

Notary Signature

Name: _____

My commission expires: _____

[Notary Seal]

STATE OF _____
COUNTY OF _____

The foregoing instrument was acknowledged before me by means of [] physical presence or [] online notarization, this ____ day of _____, _____, by _____ who is personally known to me or who has produced _____ as identification.

Property Owner Name

Property Owner Signature

Property Address

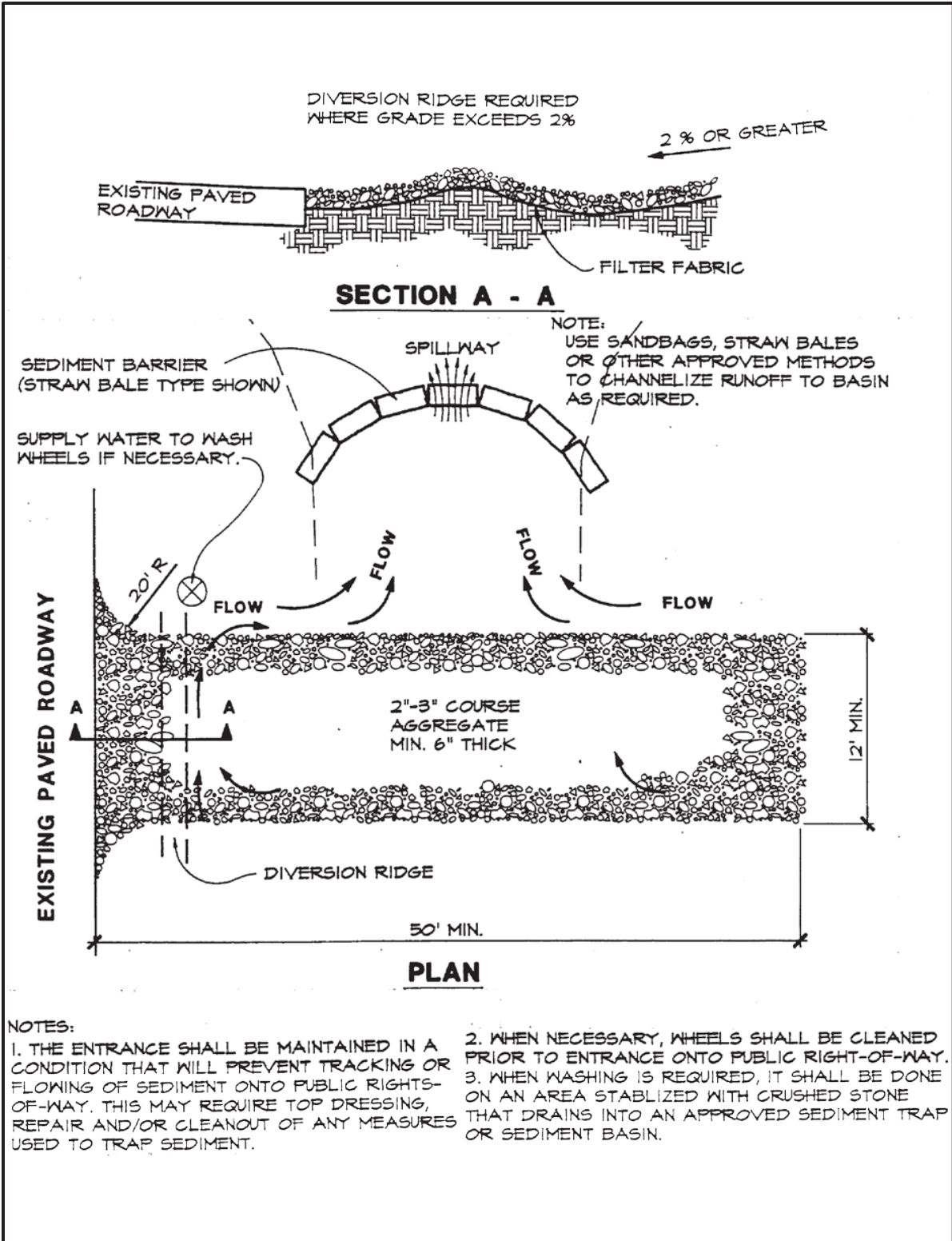
Permit Number

Notary Signature

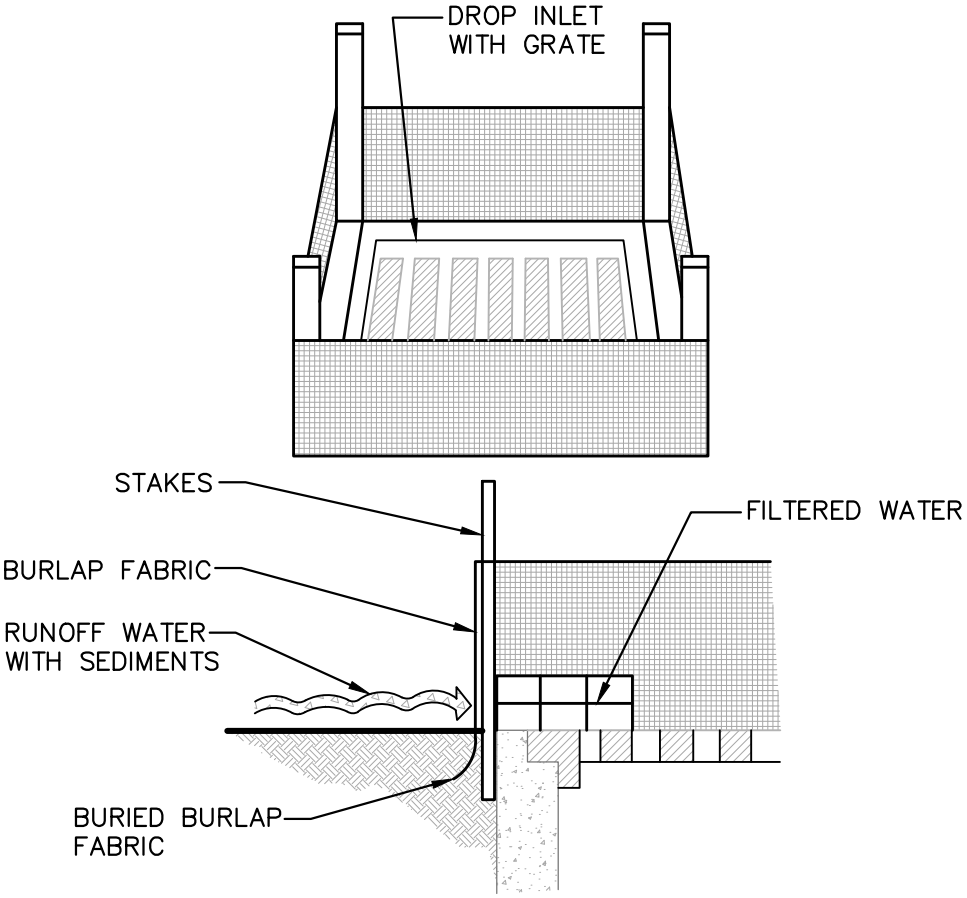
Name: _____

My commission expires: _____

[Notary Seal]



Attachment B



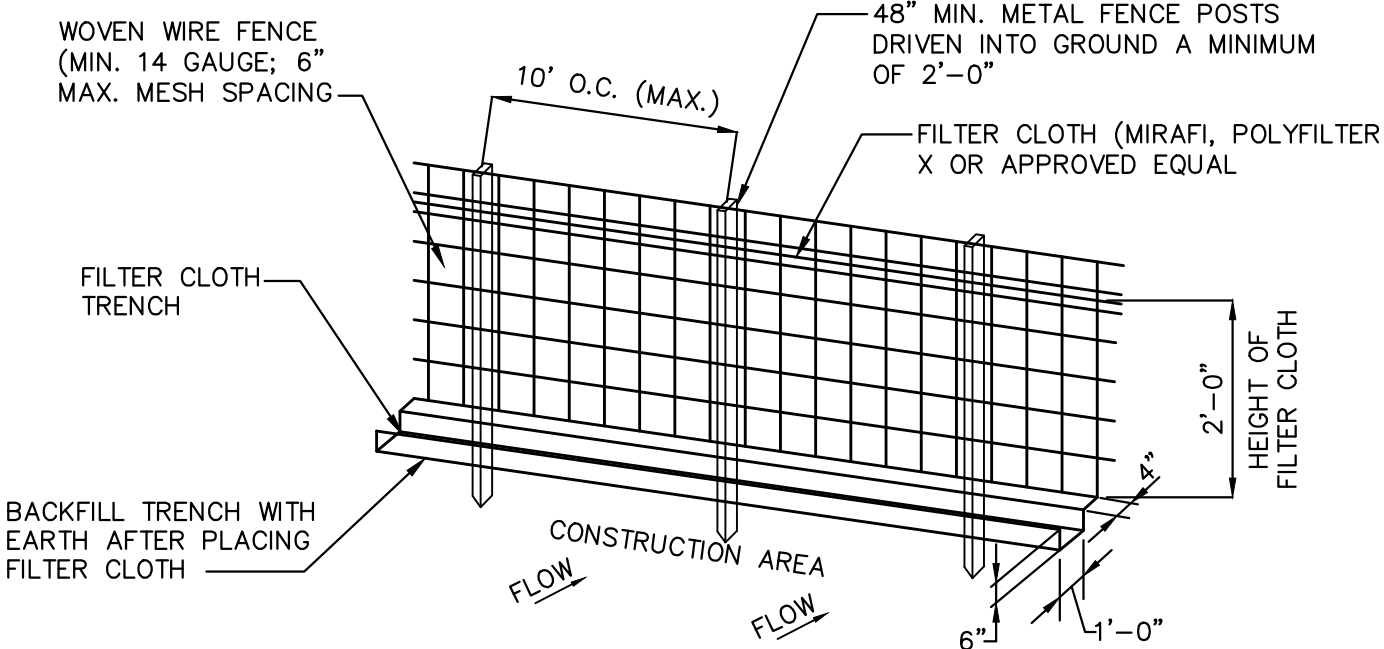
SPECIFIC APPLICATION:

THIS METHOD OF INLET PROTECTION IS APPLICABLE WHERE THE INLET DRAINS A RELATIVELY FLAT AREA (SLOPES NO GREATER THAN 5%) WHERE SHEET OR OVERLAND FLOWS (NOT EXCEEDING 0.50 CFS) ARE TYPICAL. THE METHOD SHALL NOT APPLY TO INLETS RECEIVING CONCENTRATED FLOWS, SUCH AS IN STREET OR HIGHWAY MEDIANS.

BURLAP DROP INLET SEDIMENT FILTER
N.T.S.

F:\WORK\ALL\CAD-DWG\STANDARDS\CMB-STANDARD-DETAILS\Public Works Manual (2015)\CMB Site Earthwork Details\Earthwork Detail.dwg

Attachment C



CONSTRUCTION SPECIFICATIONS:

1. WOVEN WIRE FENCE TO BE FASTENED SECURELY TO FENCE POSTS BY USE OF WIRE TIES.
2. FILTER CLOTH TO BE FASTENED SECURELY TO WOVEN WIRE FENCE BY USE OF WIRE TIES SPACED EVERY 24" X 24".
3. SILT FENCES TO BE INSTALLED IN LOCATIONS AS SHOWN ON THIS EROSION AND SEDIMENT CONTROL PLAN PRIOR TO BEGINNING OF CONSTRUCTION TO CONTROL SEDIMENT.
4. SILT FENCES TO BE MAINTAINED AND CLEANED AS NECESSARY TO MAINTAIN IN FUNCTIONAL CONDITION.
5. SILT FENCES TO BE REMOVED AND THE AREA TO BE RESTORED TO ITS NATURAL CONDITION WHEN PERMANENT EROSION AND SEDIMENT CONTROL PROCEDURES ARE EFFECTIVE.

FILTER FENCE
N.T.S.

F:\WORK\ALL\CAD-DWG\STANDARDS\CMB - STANDARD - DETAIL\Public Works Manual (2015)\CMB Site Earthwork Details\Earthwork Detail.dwg

Attachment D

MIAMI BEACH
PUBLIC WORKS DEPARTMENT
 1700 CONVENTION CENTER DRIVE MIAMI BEACH FL 33139

APPROVED
 05/01/2010

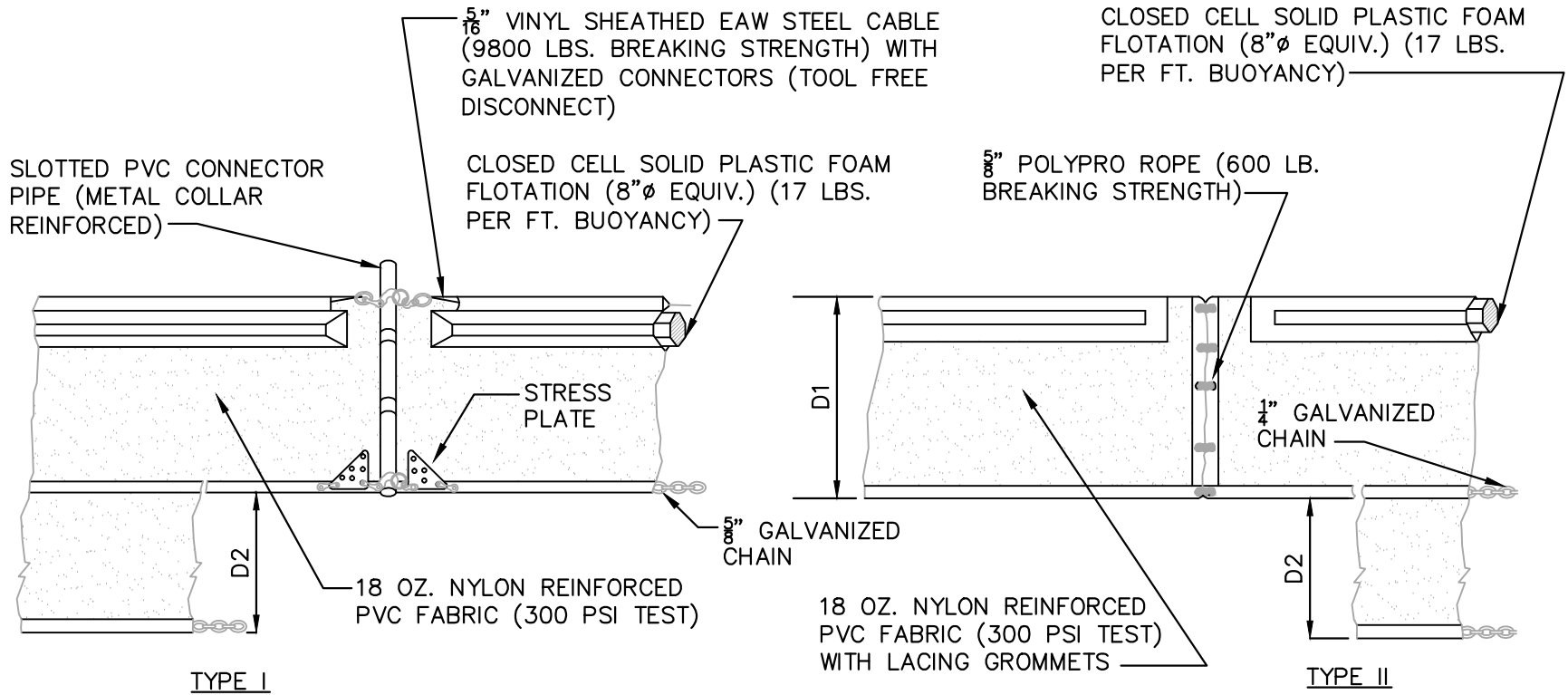
REVISED

TITLE:

SITE EARTHWORK DETAILS NO. 2
 FLOATING TURBIDITY BARRIER

SES12

N.T.S.
 FLOATING TURBIDITY BARRIER



D1 = 5' STD, (SINGLE PANEL FOR DEPTHS 5' OR LESS).
 D2 = 5' STD. (ADDITIONAL PANEL FOR DEPTHS > 5').
 CURTAIN TO REACH BOTTOM UP TO DEPTHS OF 10 FEET.
 TWO (2) PANELS TO BE USED FOR DEPTHS GREATER THAN 10 FEET UNLESS SPECIAL DEPTH CURTAINS SPECIFICALLY CALLED FOR IN THE PLANS OR AS DETERMINED BY THE ENGINEER.

NOTICE: COMPONENTS OF TYPE I AND II MY BE SIMILAR OR IDENTICAL TO PROPRIETARY DESIGNS. ANY INFRINGEMENT ON THE PROPRIETARY RIGHTS OF THE DESIGNER SHALL BE THE SOLE RESPONSIBILITY OF THE USER. SUBSTITUTIONS FOR TYPES I AND II SHALL BE AS APPROVED BY THE ENGINEER.

General Sediment and Erosion Control Notes

1. The contractor is responsible for following the best erosion and sediment control practices as outlined in the plans, specification, applicable permit(s), and the prevention, correction, control, and abatement of erosion and water pollution in accordance with chapter 62-302, Florida Administrative Code.
2. Erosion and sediment control barriers shall be placed where there is potential for downstream water quality degradation.
3. The site contractor is responsible for removing the temporary erosion and sediment control devices after completion of construction and only when areas have been stabilized.
4. The site contractor is responsible for the maintenance of BMPs to make sure they are functioning as designed at all times.
5. The BMP structures shall be inspected after each rain and BMP repairs made as needed. Sediment deposits should be removed after each rainfall. They must be removed when the level of deposition reaches approximately one-half the height of the barrier.
6. Correctly installed silt fences will be used along the limits of construction to minimize offsite siltation migration.
7. Sod shall be placed in areas which may require immediate erosion protection to ensure water quality standards are maintained and where no active construction is occurring.
8. The contractor shall pay for any water quality control violations from any agency that results in fines being assessed to the owner because of the contractor's failure to eliminate turbid runoff from leaving the site and raising background levels of turbidity above existing background levels.

Inlet Protection

9. Wire mesh shall be laid over the top drop inlet so that the wire extends a minimum of 1 foot beyond each side of the inlet structure. Hardware cloth or comparable wire mesh with ½ - inch opening shall be used. If more than one strip of mesh is necessary the strips shall be overlapped.
10. FDOT NO. 1 coarse aggregate shall be placed over the wire mesh as indicated on detail. The depth of stone shall be at least 12 inches over the entire inlet opening. The stone shall extend beyond the inlet opening at least 18 inches on all sides.
11. If the stone filter becomes clogged with sediment so that it no longer adequately performs its function, the stone must be pulled away from the inlet, cleaned and replaced.
12. The filter barrier shall be entrenched and backfilled. A trench shall be excavated around the inlet and width of a bale to a minimum depth of four inches. After the bales are stacked, the excavated soil shall be backfilled and compacted against the filter barrier.
13. Bale shall be either wire-bound or string-tied with the bindings oriented around the sides rather than over and under the bales.
14. Bales shall be placed lengthwise in single row surrounding the inlet with the ends of adjacent bales pressed together.
15. Each bale shall be securely anchored and held in place by at least two stakes or rebars driven through the bale.
16. Loose straw should be wedged between bales to prevent water from entering between bales.

Turbidity Barriers

17. Floating turbidity barriers will be placed at all outfall locations connected to the work area during active construction. If seagrasses are present barriers will not be placed over them. The floating turbidity barriers shall be installed in a manner to prevent manatee entanglement.
18. Turbidity barriers to be marked with site contractor's company name using permanent markings no smaller than 3 inches in height on the top of the barrier.

EROSION AND SEDIMENT CONTROL GENERAL NOTES
N.T.S.

F:\WORK\ALL\CAD-DWG\STANDARDS\CMB-STANDARD_DETAILS\Public Works Manual (2015)\CMB Site Earthwork Details\Earthwork Detail.dwg