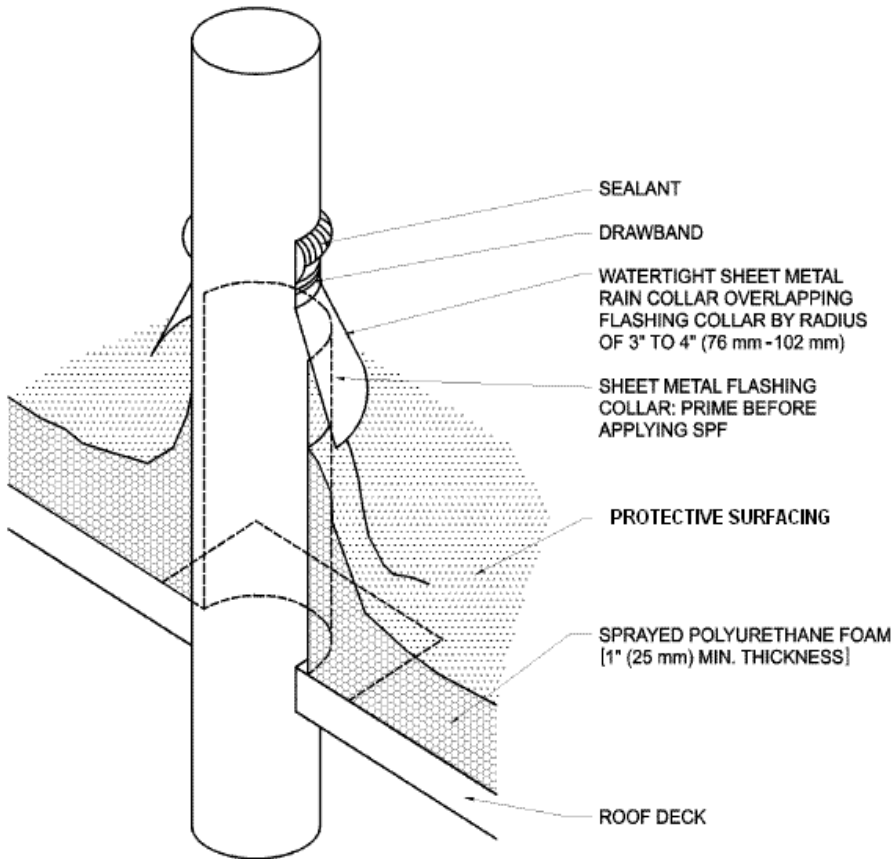


Complete the roof detail. If a component is not required, insert n/a in the text box



Roof mean height (h):

ft

Optional granules:

Protective surfacing:

SPF type:

Deck type:

To flatten (remove layers) & save this file print to pdf